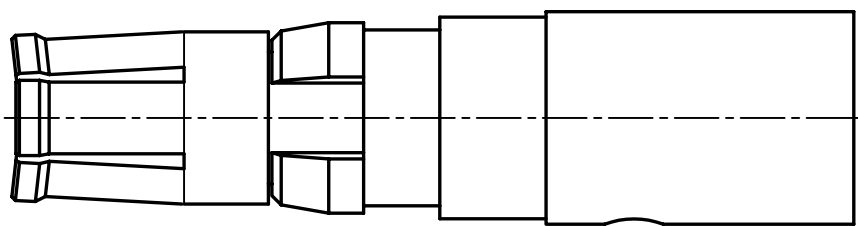
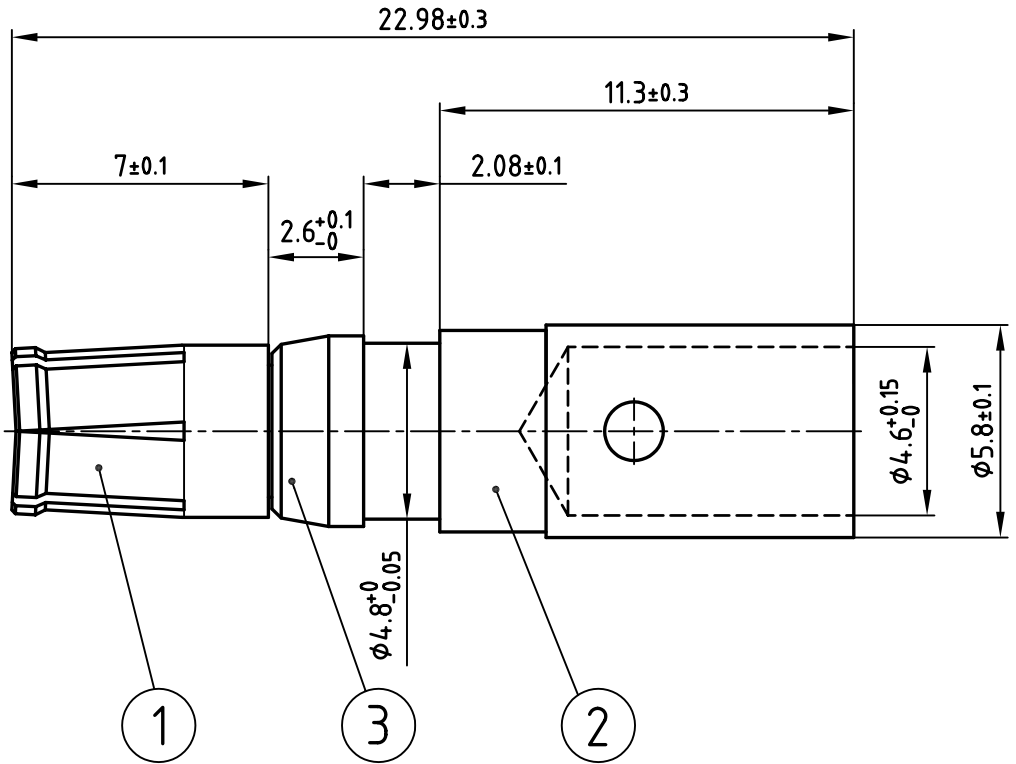


used for: D-SUB COMBINATION



NOTES:

- 1. MATERIAL: COPPER ALLOY
- 2. PLATING:
 ITEM 1: min. 30µ" HARD GOLD OVER min. 50µ" NICKEL
 ITEM 2: min. 8µ" HARD GOLD OVER min. 50µ" NICKEL
 ITEM 3: NICKEL PLATED

PART-NO.	A0 PART-NO.
CFMP004S103	A0677608
132C11049X	



THIS DRAWING MAY NOT BE COPIED OR REPRODUCED IN ANY WAY, AND MAY NOT BE PASSED ON TO A THIRD PARTY WITHOUT WRITTEN PERMISSION.
 OWNERSHIP AND COPYRIGHT OF CONEC GmbH
 DO NOT ALTER CAD DRAWING BY HAND

tolerance		ISO 2768-m			
2002	date	name		scale: 5:1	
drawn	12.02.	Parei		material: SEE NOTES	
appd.	12.02.	E. Mickenbecker		title:	
norm				HIGH POWER CONTACT FEMALE CRIMP VERSION 40A D-SUB COMBINATION	
d-old					
rev.	description	date	name	dwg no: AutoCAD 2000 13K2IF0A part no: SEE TABLE	



DIN-A
4
sh: 1/1